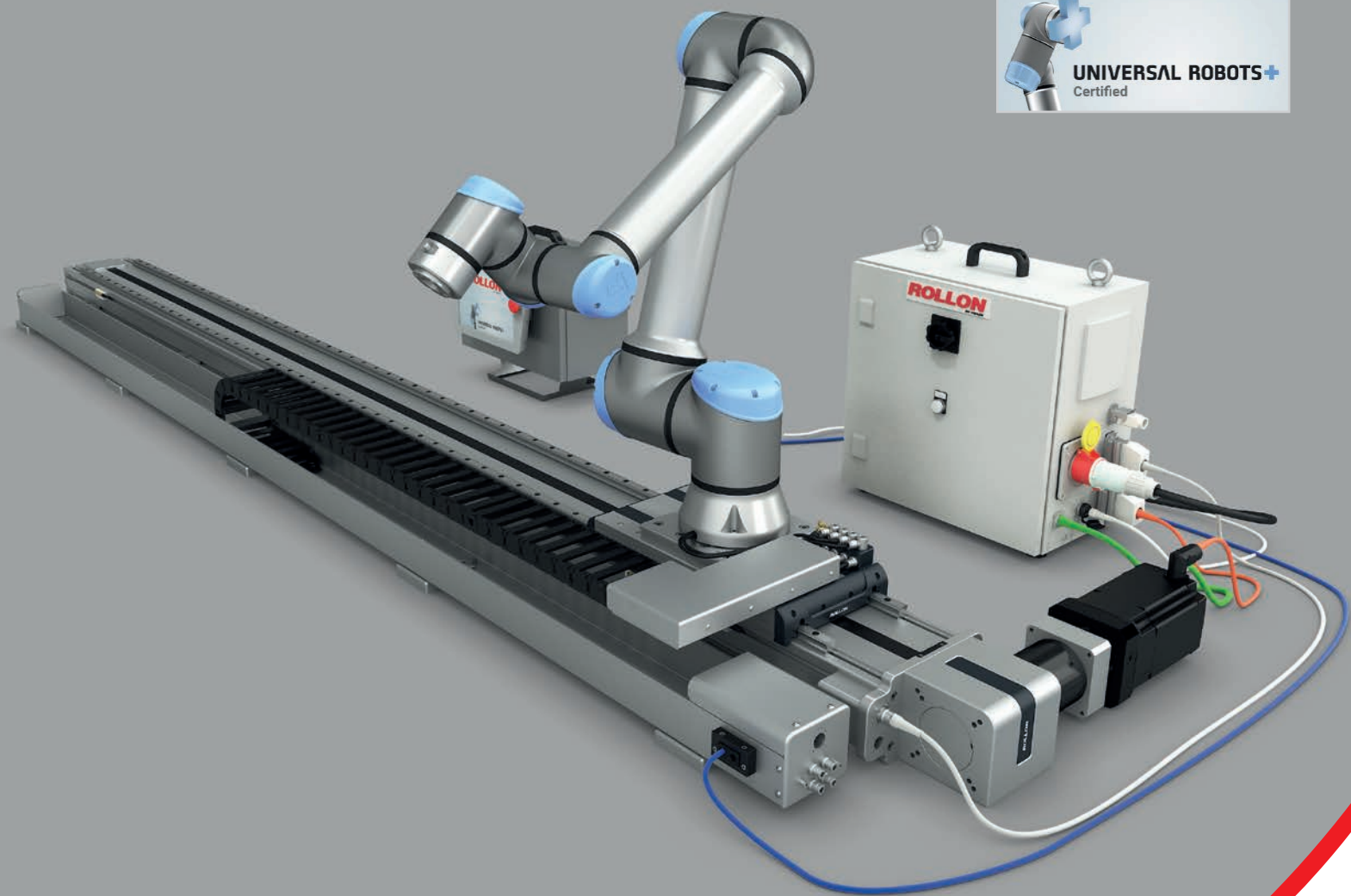


ROLLON®
BY TIMKEN

Actuator System Line

Cobot Transfer Unit



**Cobot Transfer Unit
for UR cobots**

English

Interactive catalogs 
on: www.rollon.com

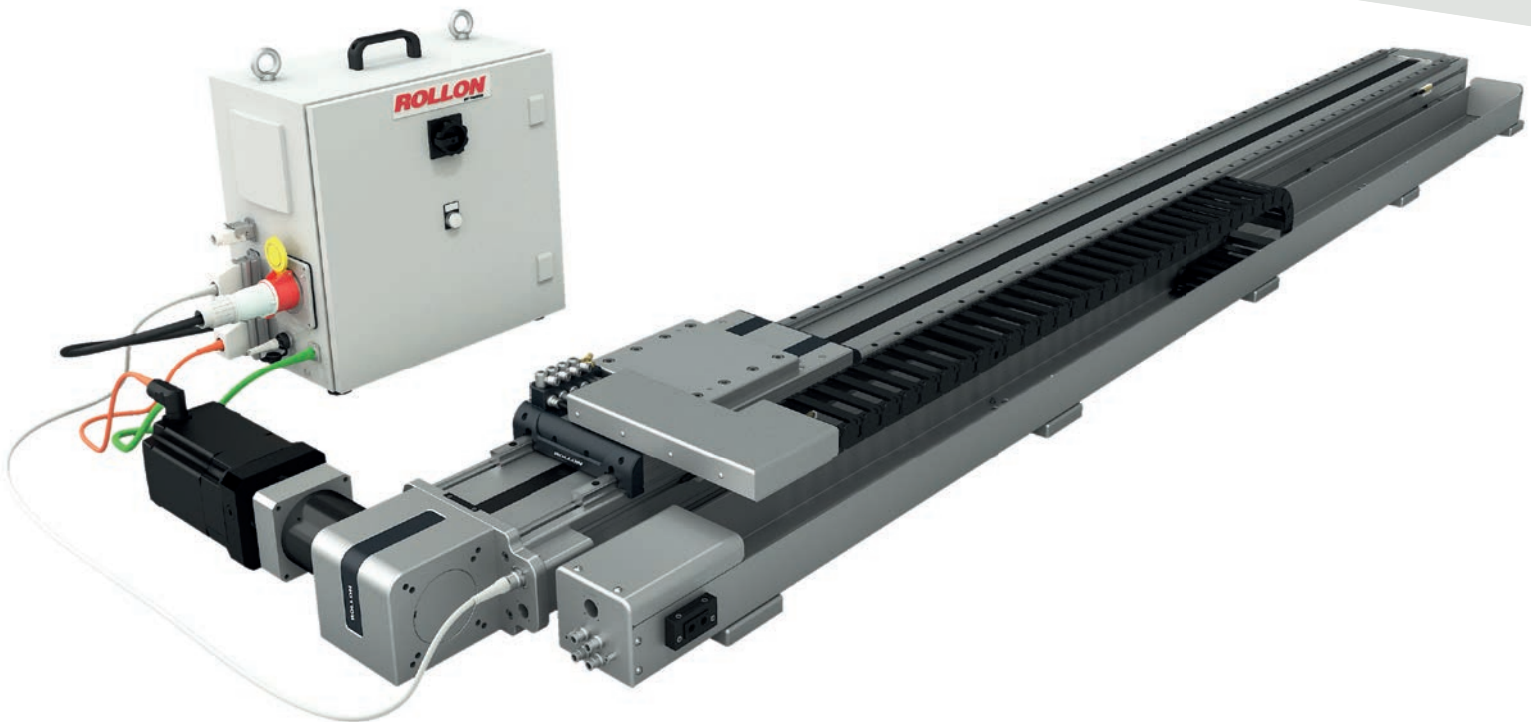
Cobot Transfer Unit

A full range of belt driven Cobot Transfer Units (CTU) for improving the reach of each size of UR Cobot. Rollon CTU comes as a plug and play kit which can be installed and put into operation in few steps.




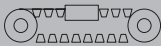

UNIVERSAL ROBOTS CERTIFIED

The Rollon CTU has been tested and certified by Universal Robot to easily integrated with their UR3e, UR5e, UR10e, UR10CB and UR16e cobots.



WHAT IS INCLUDED

Rollon CTU includes: axis, motor, drive, gearbox, energy chain with cables, Rollon electrical cabinet, sensors, High-Flex cable and Rollon URcap software.

Cobot Transfer Unit		Cobot			
Series	Driving System	Brand	Model	Payload [KG]	Weight [KG]
CTU 130-1I		UR	UR3e	3	11
CTU 160-1I		UR	UR5e	5	20
CTU 220-1I		UR	UR10e - 10CB; UR16e	10-16	33

ROLLON ELECTRICAL CABINET

The Rollon CTU is provided with an electrical cabinet, including sensors and associated cables.



- 1 Lifting eyebolts
- 2 General knob to power up the Rollon cabinet
- 3 White power indicator light (24V)
- 4 Cable connection area

Cobot Transfer Unit

Main Features



PLUG & PLAY FEATURES

1 Rollon URCap software and hardware

Rollon URCap is the dedicated software for Universal Robot teach pendant. It simplifies the programming and the control of all the features, allowing to easily program advanced functions and to control up to 6 external axes.

2 Universal Robot tested and certified

The Rollon CTU has been tested and certified by Universal Robot to easily integrated with their UR3e, UR5e, UR10e, UR10CB and UR16e cobots.

3 Rollon electrical cabinet

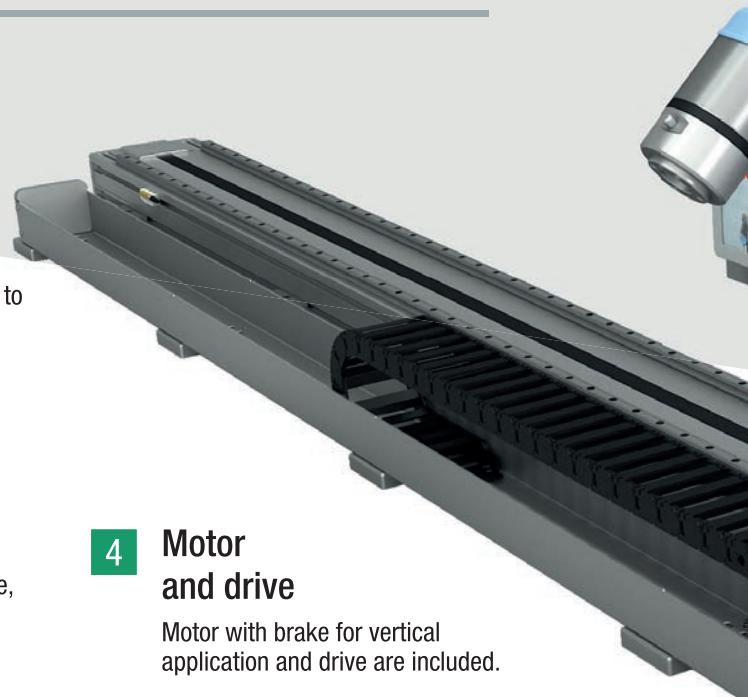
The CTU is provided with an electrical compact cabinet. The cabinet is CE-UL - CSA certified. Multi-voltages for different countries.

4 Motor and drive

Motor with brake for vertical application and drive are included.

5 Electric and pneumatic power supply on board

Certified, silenced and compact energy chain, ideal for continuous automated cycles. High-Flex cable and air tubes are included.



SAFETY FEATURES

1 External safety sensors

Ready to accommodate external safety sensors, such as laser scanners, radars, optical scanners and sensitive safety skins.

2 Emergency functions

CTU stops when UR cobot's security function stops.

3 Dynamic optimization

CTU speed and acceleration optimized for UR cobot.
 $V = 1,5m/s$ $A = 3m/s^2$

4 Emergency stop button

CTU and UR stop simultaneously using the Estop button (manually actuated).



AXIS FEATURES

1 Stroke

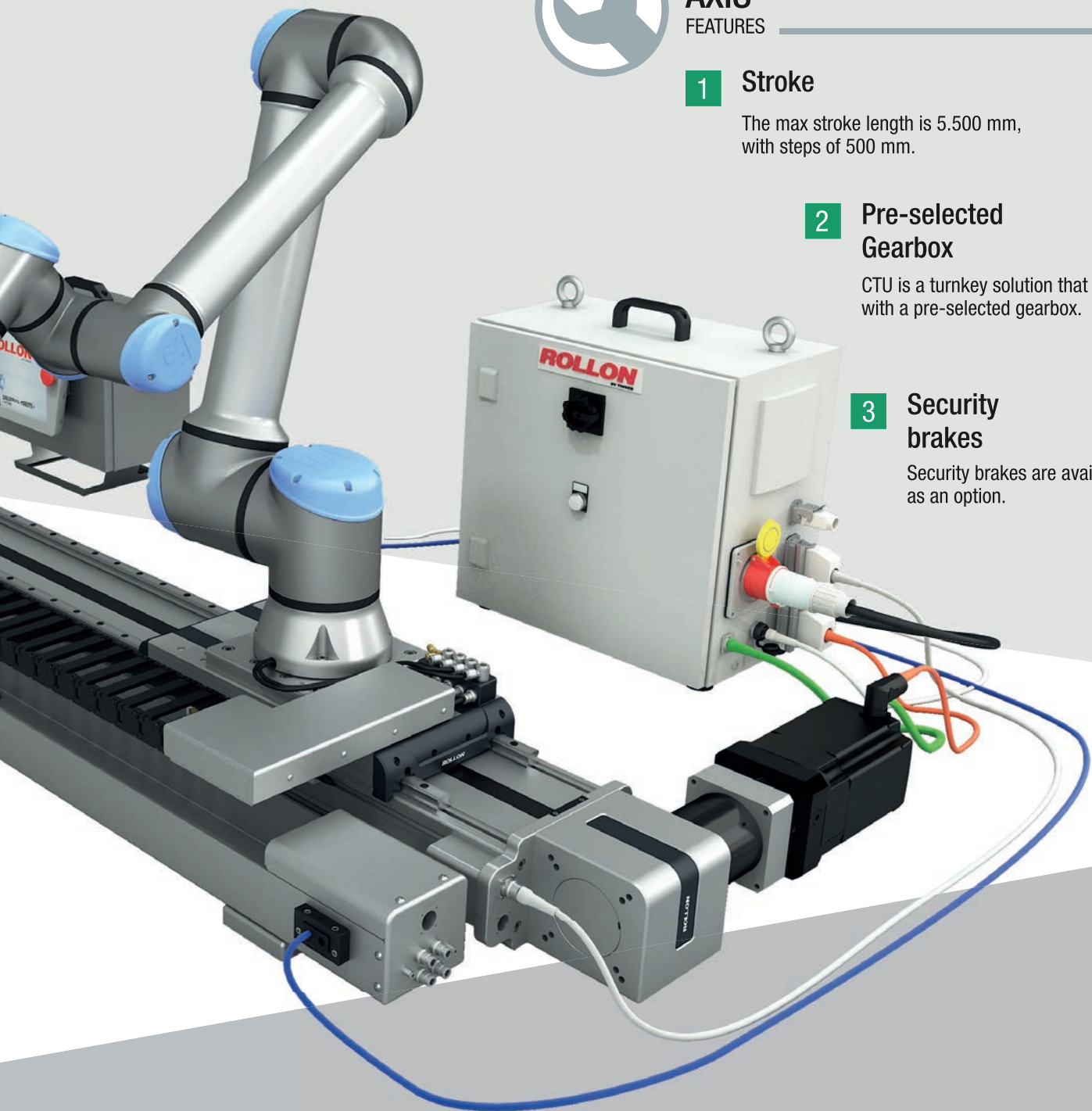
The max stroke length is 5.500 mm, with steps of 500 mm.

2 Pre-selected Gearbox

CTU is a turnkey solution that comes with a pre-selected gearbox.

3 Security brakes

Security brakes are available as an option.



4 Simplified mounting and alignment

Dedicated connecting plate on the carriage to assemble the UR cobot quickly and easily. Integrated leveling feet to compensate eventual misalignment.

5 Multiple configurations

Versatile for multiple configurations and combinations: horizontal and vertical mount.

6 Proximity Sensors

Equipped with proximity sensors.

TO SUPPORT YOU, WE DESIGN AND PRODUCE

Our goal is to support you become **more competitive in your markets**, through technological solutions, design simplification, productivity, reliability, duration, and low maintenance.

We offer everything from **individual components to specifically designed**, mechanically integrated systems: the quality of our applications is an expression of our technology and competence.

ROLLONLAB: EXPERIMENTATION AND INNOVATION

RollonLab, a specialized laboratory where new products created by the R&D department are tested and optimized to perform beyond their technical limits through performance tests and strict quality controls.

RollonLab also tests products in simulations of different application scenarios, to guarantee that the client receives **highly competitive custom products**.

SUPPORT & CUSTOMIZATION

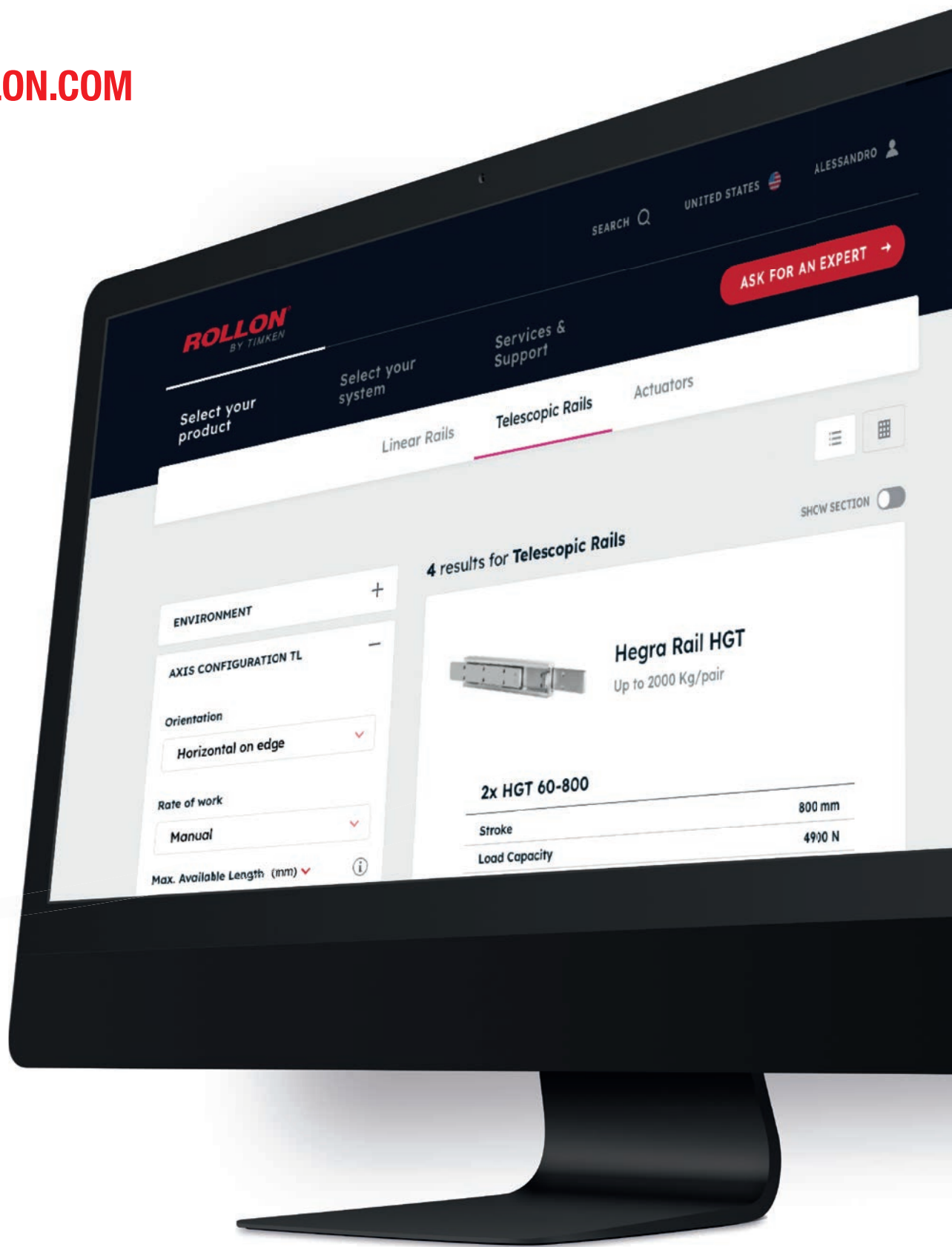
- Product training
- Custom product prototyping
- Application sizing and engineering
- 2D / 3D product drawings on demand
- On-site support for first installation and mock-ups
- Co-design service on sub-systems and full assemblies
- Internal laboratory for static abuse load and endurance tests

Thanks to the experience acquired through years of applications and research, we are able to provide high quality products specifically designed for your needs.



A NEW **DIGITAL EXPERIENCE**
 SURROUNDED BY **ROLLON EXPERTS**
 WHERE YOU CAN EASILY SELECT
 THE PRODUCT **YOU NEED.**

MY.ROLLON.COM





Follow us:



● Rollon Branches & Rep. Offices
● Distributors

EUROPE

ROLLON S.p.A. - ITALY

Via Trieste 26
I-20871 Vimercate (MB)
Phone: (+39) 039 62 59 1
www.rollon.com - infocom@rollon.com

ROLLON Ltd - UK (Rep. Office)

The Works 6 West Street Olney
Buckinghamshire, United Kingdom, MK46 5 HR
Phone: +44 (0) 1234964024
www.rollon.uk.com - ukandireland@rollon.com

ROLLON GmbH - GERMANY

Bonner Strasse 317-319
D-40589 Düsseldorf
Phone: (+49) 211 95 747 0
www.rollon.de - info@rollon.de

ROLLON S.A.R.L. - FRANCE

Les Jardins d'Eole, 2 allée des Séquoias
F-69760 Limonest
Phone: (+33) (0) 4 74 71 93 30
www.rollon.fr - infocom@rollon.fr

AMERICA

ROLLON Corporation - USA

101 Bilby Road. Suite B
Hackettstown, NJ 07840
Phone: (+1) 973 300 5492
www.rollon.com - info@rolloncorp.com

ROLLON - SOUTH AMERICA

101 Bilby Road. Suite B
Hackettstown, NJ 07840
Phone: (+1) 973 300 5492
www.rollon.com - info@rolloncorp.com

ASIA

ROLLON Ltd - CHINA

No. 1155 Pang Jin Road,
China, Suzhou, 215200
Phone: +86 0512 6392 1625
www.rollon.cn.com - info@rollon.cn.com

ROLLON India Pvt. Ltd. - INDIA

39-42, Electronic City, Phase-I,
Hosur Road, Bangalore-560100
www.rollonindia.in - info@rollonindia.in

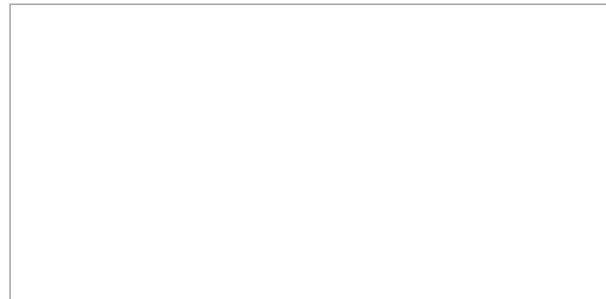
ROLLON - JAPAN

〒252-0131
神奈川県相模原市緑区西橋本1-21-4
橋本屋ビル
電話番号: 042-703-4101
www.rollon.jp - info@rollon.jp

Consult the other ranges of products



Distributor



All addresses of our global sales partners can also be found at www.rollon.com

The content of this document and its use are subject to the general terms of sale of ROLLON available on the web site www.rollon.com
Changes and errors expected. The text and images may be used only with our permission.